

VECTOR FAST FRAME BACKLIT COUNTER

VFF-CT-BL

The Vector Fast Frame™ Backlit Counter is an illuminated, collapsible counter that delivers a vibrant pop to branding and messaging. The collapsible frame has LED lights pre-attached to the left and right sides. Assembly is so easy! You literally expand it, add a support pole, put the graphic on the front and back of the frame and plug it in. Not only is it easy to assemble, it is extremely portable, packs down tight into a convenient rolling carry bag for travel and storage. The counter is finished with a laminated countertop for a sleek appearance. Vector Fast Frame Backlit Counter requires no tools for assembly!



features and benefits:

- Collapsible light box counter with lights pre-attached to the frame
- Comes with pre-attached black countertop
- Assembles in minutes
- Seamless and easy to change SEG push-fit graphics
- Front and back graphics available
- Two backlit graphic material options
- Highly portable and breaks down easy
- Includes rolling carry bag
- Five year LED light warranty
- One year limited warranty against manufacturer defects .

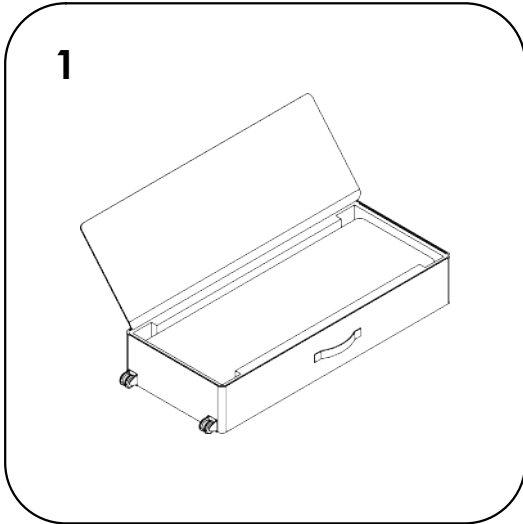
dimensions:

Hardware	Shipping
<p>Assembled unit:</p> <p>39.37" w x 40" h x 15.7" d 1000mm(w) x 1016mm(h) x 400(d)</p> <p>Approximate Weight: 19 lbs / 8.6 kg</p>	<p>Packing case(s): 1 Boxes</p> <p>Shipping dimensions: (44.5" L x 18.50" H x 9" D) 1130mm(l) x 470mm(h) x 229mm(d)</p> <p>Approximate shipping weight: 35 lbs / 16 kg</p>
Graphics	
<p>Graphic material: Backlit Textile (dye-sublimated fabric) or Intensity (UV printed)</p> <p>See graphic templates for graphic sizes.</p>	
<p>Refer to related graphic templates for more information Visit:</p> <p>https://www.theexhibitorshandbook.com/downloads/download-graphic-templates or click here</p>	
additional information:	
	<p>Available with black counter top only.</p> <p>Counter holds up to 40 lbs.</p> <p>1 Year Warranty</p>

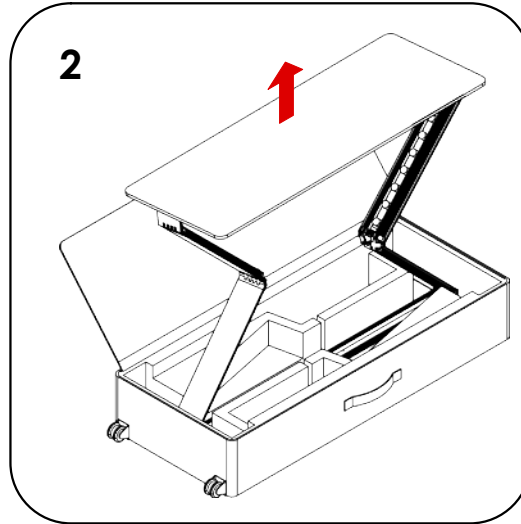
We are continually improving and modifying our product range and reserve the right to vary the specifications without prior notice. All dimensions and weights quoted are approximate and we accept no responsibility for variance. E&OE. See Graphic Templates for graphic bleed specifications

VECTOR FAST FRAME BACKLIT COUNTER

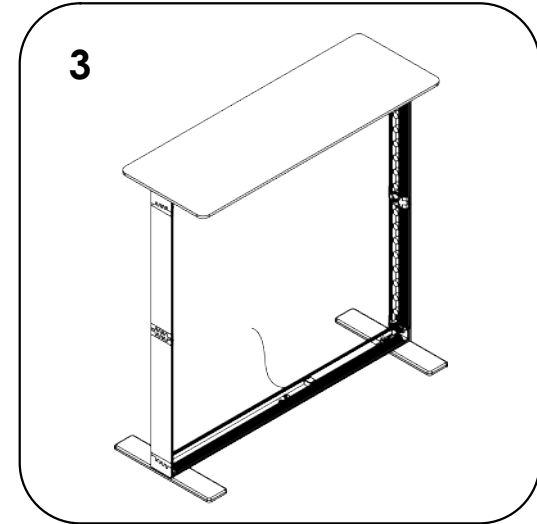
Assembly Instructions



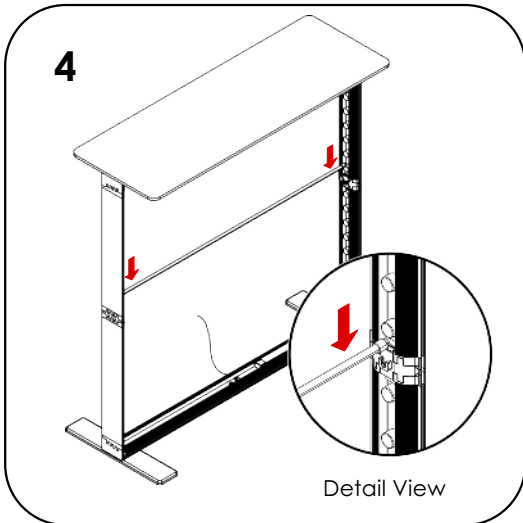
Open Case.



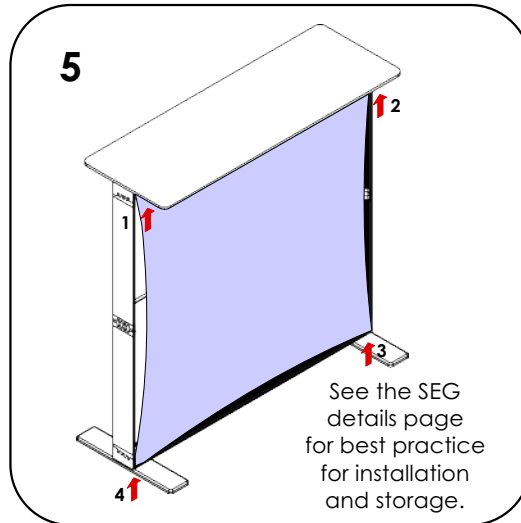
Unfold counter and remove from case.



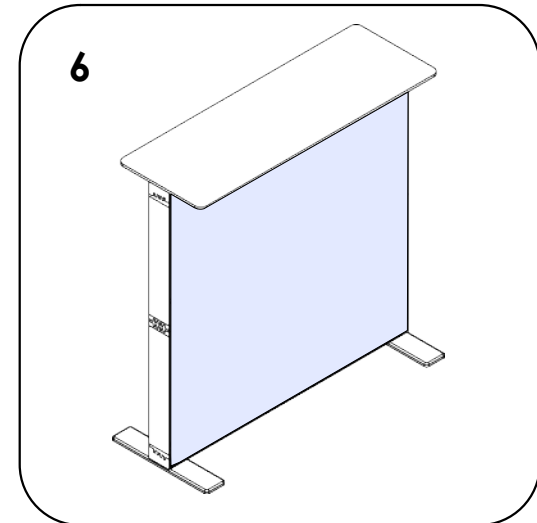
Confirm the frame is completely opened and square.



Press the horizontal support pole into place as shown.



Starting at the corners press the SEG graphic into the channel.



Plug into output to illumination.

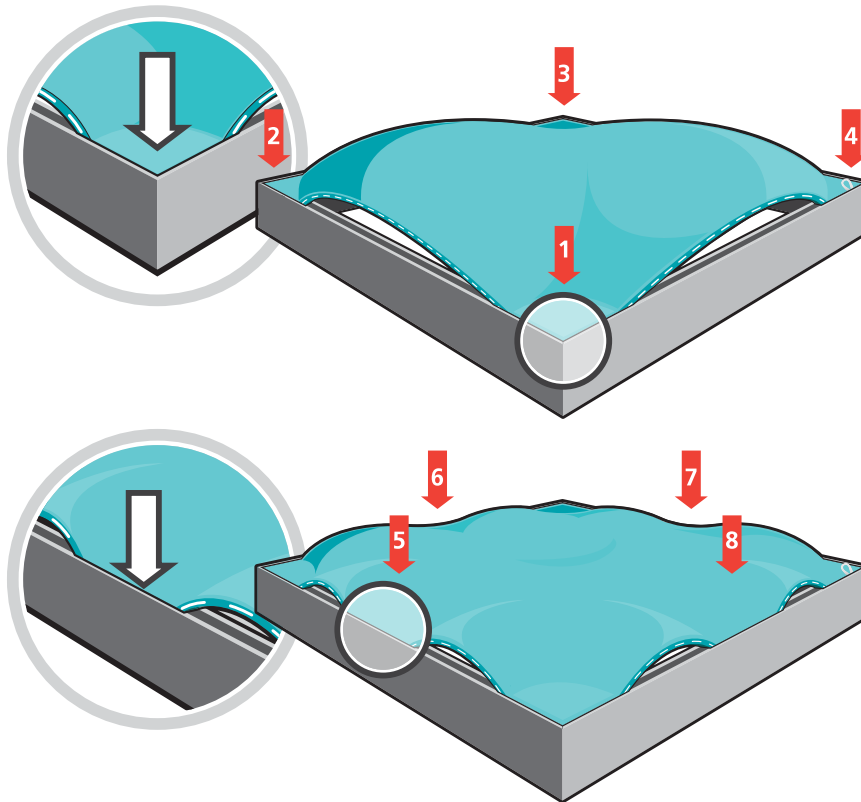
VECTOR FAST FRAME BACKLIT COUNTER

Graphic Installation

How to Apply & Remove Graphics

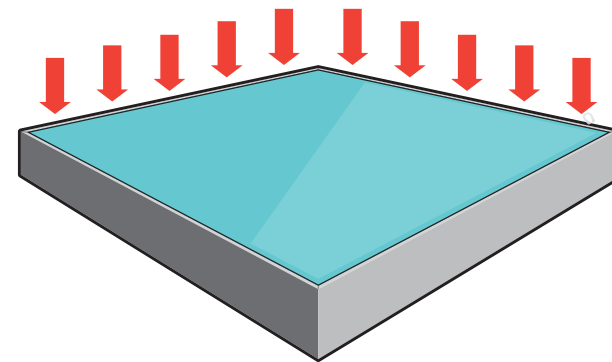
Installation and removal of SEG graphics is easy!

Installation: Push the SEG bead into each corner of the frame (1-4) with your thumb, then push the SEG bead into the middle of the run (5-8) and work your way around the perimeter of the frame until all beading is pushed in properly; if necessary, go around the perimeter again to ensure beading is secure in the extrusion profile.



Note: Keep the set up area clean by using a drop cloth, washing hands before set-up or by wearing gloves.

Removal: Use the pull tab located on the graphic and gently pull the graphic from the frame, going around the perimeter.



Graphics Storage & Care

Graphics should be folded with the graphic facing inward and stored in a zip lock /sealable plastic bag. Spot clean by wiping with a damp white cloth. If washing is necessary, use a commercial size front-loading washing machine, gentle cycle with cool water. Line dry flat. Dry cleaning is NOT recommended to prevent shrinkage.